

Bain Marie

Type: 1745

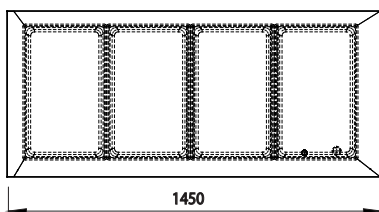
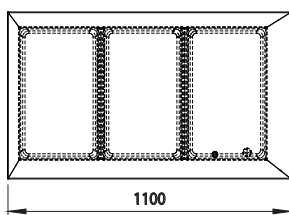
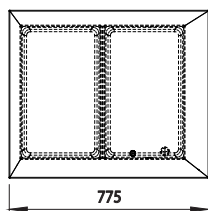
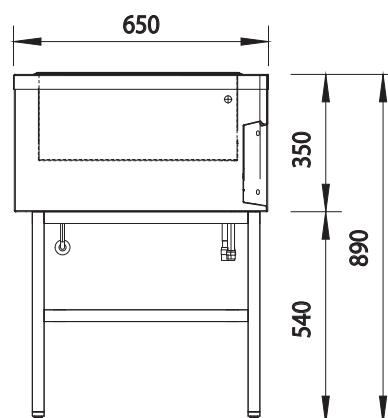
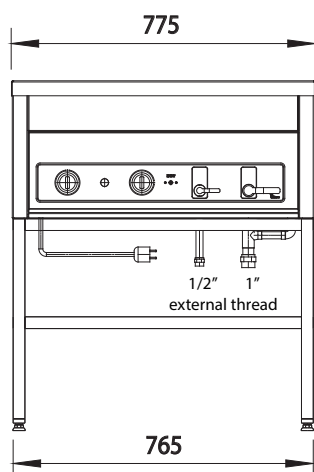
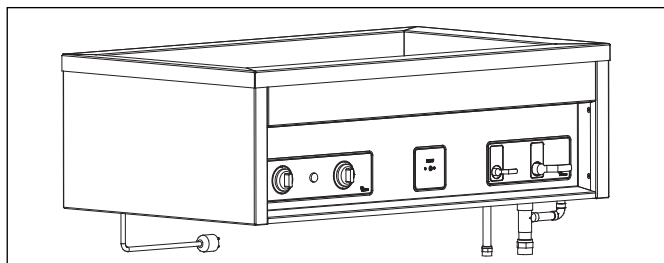
Nicro Bain Marie have the heating element placed in an element cassette below the unit. This makes it very easy to change the heating element. Remove the front panel and you have full access to all electrical parts.

The Bain Marie is produced in 1,5 mm stainless steel which makes it a very stable construction.

Comes with 2 m halogen-free cable and a grounded schuko plugg.

Bain Marie for 2 x 1/1 GN has one heating element of 1400 W
Bain Marie for 3 x 1/1 GN has one heating element of 2000 W
Bain Marie for 4 x 1/1 GN has one heating element of 2500 W

Power supply: 230 V single phase 50 Hz.



This design can be changed.
All measures in mm.

Type 1745:

Delivered with outlet and water inlet valves in front.
This model also has an overflow.

Type no.: 1745200 (2/1 GN) 32,5 kg
1745300 (3/1 GN) 42,8 kg
1745400 (4/1 GN) 53,0 kg

Stainless steel stand with undershelf is available with or without castors.

Note! GN containers are not included.



Nicro AS, N-3748 Siljan, Norway

Tel.: (+47) 35 94 26 00
Fax: (+47) 35 94 15 38

Internet: www.nicro.no
E-post: firmapost@nicro.no

