

Bain Marie (Drop In)

Type: 1755

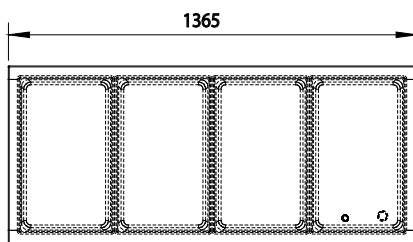
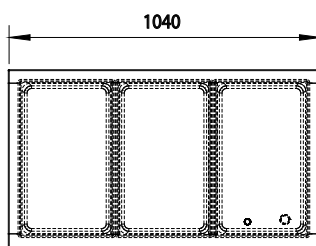
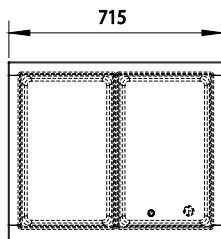
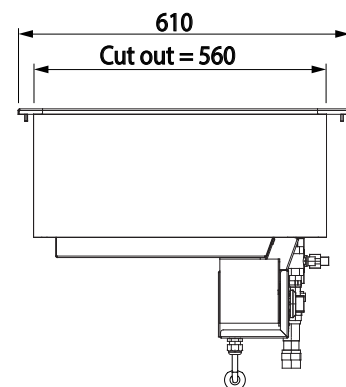
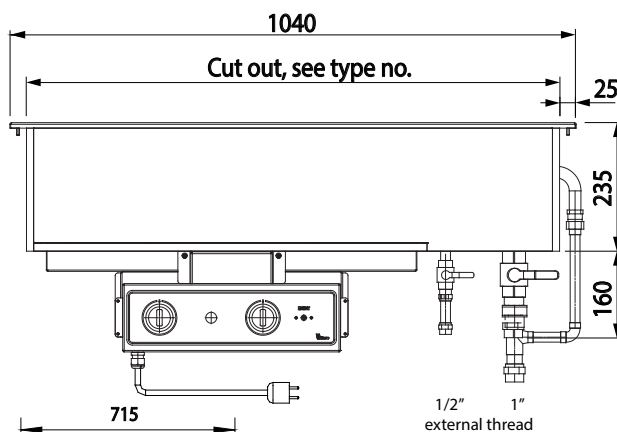
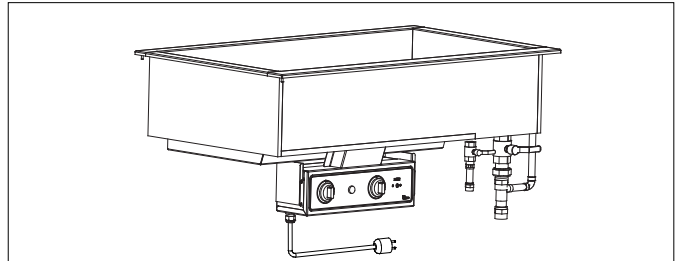
Nicro Bain Marie have the heating element placed in an element cassette below the unit. This makes it very easy to change the heating element.

The Bain Marie is produced in 1,5 mm stainless steel which makes it a very stable construction.

Comes with 2 m halogen-free cable and a grounded schuko plugg.

Bain Marie for 2 x 1/1 GN has one heating element of 1400 W
 Bain Marie for 3 x 1/1 GN has one heating element of 2000 W
 Bain Marie for 4 x 1/1 GN has one heating element of 2500 W

Power supply: 230 V single phase 50 Hz.



Type 1755:

Delivered with outlet and water inlet valves in front.

Type no.:

| | | |
|------------------|-------------------------|---------|
| 1755200 (2/1 GN) | Cut out = 685 x 560 mm | 15,4 kg |
| 1755300 (3/1 GN) | Cut out = 1000 x 560 mm | 20,7 kg |
| 1755400 (4/1 GN) | Cut out = 1325 x 560 mm | 25,4 kg |

This design can be chaged.
 All measures in mm.



Nicro AS, N-3748 Siljan, Norway

Tel.: (+47) 35 94 26 00
 Fax: (+47) 35 94 15 38

Internet: www.nicro.no
 E-post: firmapost@nicro.no

